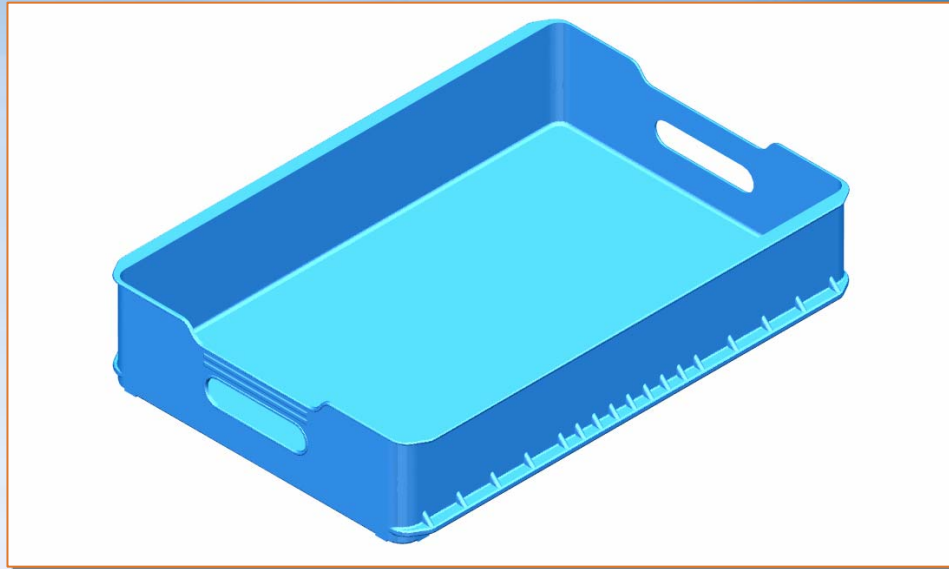
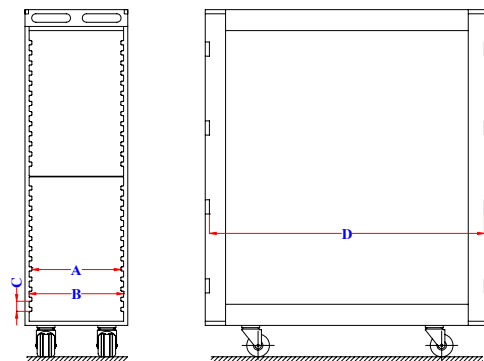
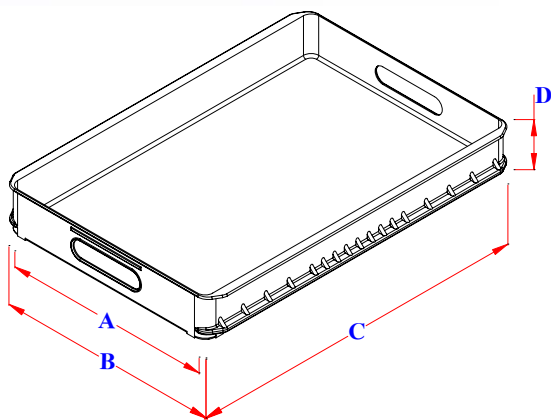


TA013



RACK NO.	A	B	C	D	GLASS		CAPACITY	CONTAINER
	(MM)	(MM)	(MM)	(MM)	E (MM)	F (MM)	RACK	NO.
TA013	260	278	400	83	-	-	-	CA



CA